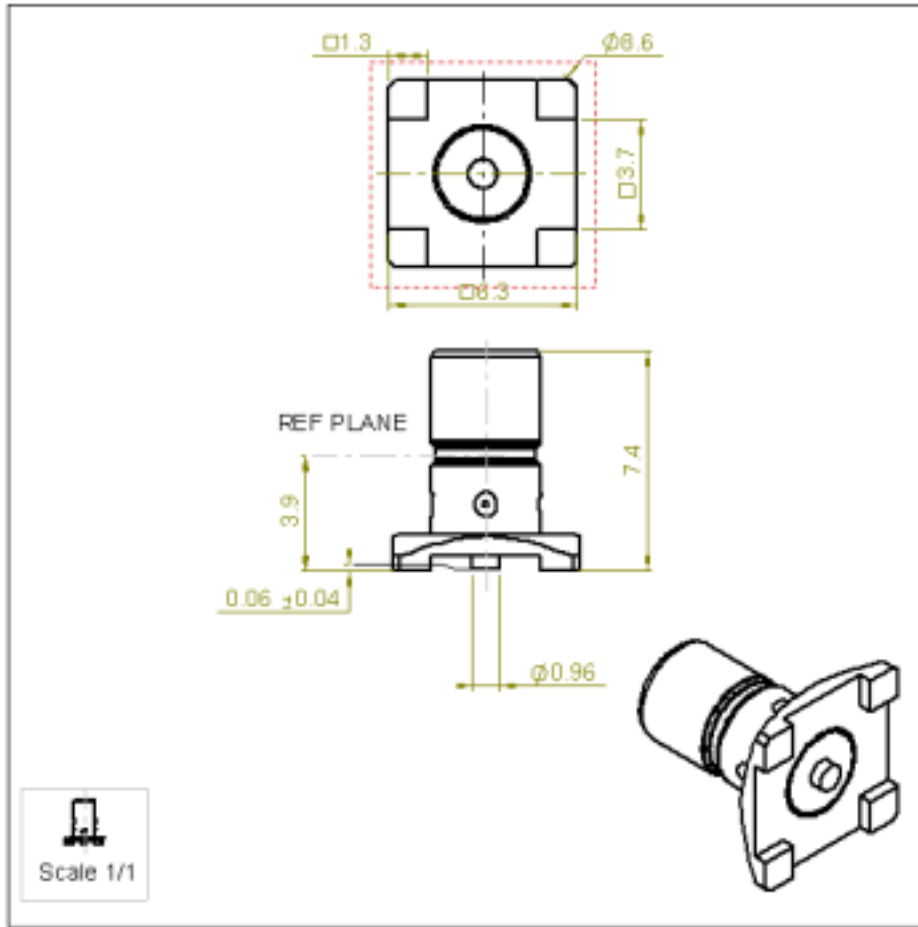


STRAIGHT MALE RECEPTACLE FOR PCB

R114.424.120

SMT TYPE- REEL OF 500

Series : SMB



All dimensions are in mm.



COMPONENTS	MATERIALS	PLATINGS (µm)
BODY	BRASS	GOLD 0.2 OVER NICKEL 2
CENTER CONTACT	BRASS	GOLD 0.5 OVER NICKEL 2
OUTER CONTACT	-	-
INSULATOR	PTFE	-
GASKET	-	-
OTHERS PARTS	-	-
-	-	-
-	-	-

Issue : 0602 C

In the effort to improve our products, we reserve the right to make changes judged to be necessary.



STRAIGHT MALE RECEPTACLE FOR PCB

R114.424.120

SMT TYPE- REEL OF 500

Series : **SMB**

PACKAGING

SPECIFICATION

Standard	Unit	Other
500	-	Contact us

**Package label 102 01-1003 UEn Rev F
RPT 141 008 Rev E**

ELECTRICAL CHARACTERISTICS

ENVIRONMENTAL

Impedance		50 Ω
Frequency		0-4 GHz
VSWR	1.05 +	0,0080 x F(GHz) Maxi
Insertion loss		0.03 √F(GHz) dB Maxi
RF leakage	- (57 - F(GHz)) dB Maxi
Voltage rating		500 Veff Maxi
Dielectric withstanding voltage		1000 Veff mini
Insulation resistance		1000 MΩ mini

Operating temperature	-65/+165 ° C
Hermetic seal	NA Atm.cm3/s
Panel leakage	NA

OTHERS CHARACTERISTICS

Assembly instruction

Others :
COAXIAL TRANSMISSION LINE ONLY

MECHANICAL CHARACTERISTICS

Center contact retention		
Axial force – Mating end	10	N mini
Axial force – Opposite end	10	N mini
Torque	NA	N.cm mini
Recommended torque		
Mating	NA	N.cm
Panel nut	NA	N.cm
Mating life	500	Cycles mini
Weight	0,4900	g

Issue : **0602 C**

In the effort to improve our products, we reserve the right to make changes judged to be necessary.



STRAIGHT MALE RECEPTACLE FOR PCB

R114.424.120

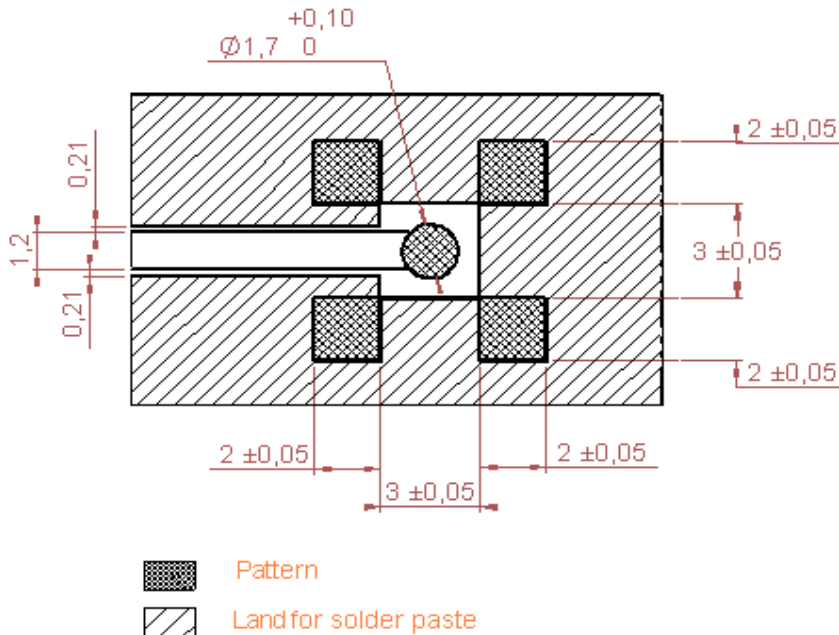
SMT TYPE- REEL OF 500

Series : SMB

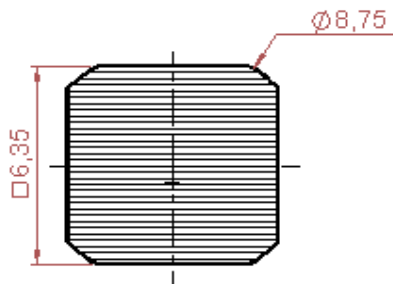
SMB SERIES – INFORMATION

Coplanar line : pattern and signal are on the same side. Thickness of PCB : 1.6 mm

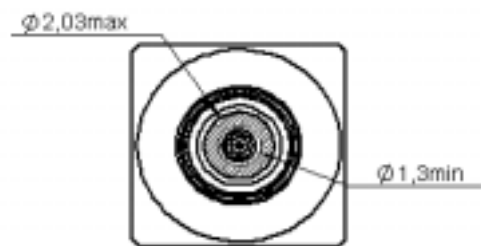
The material of PCB is the epoxy resin of glass fabrics bac. (Er=4.8). The solder resist should be printed except for the land pattern on the PCB.



SHADOW OF SMB RECEPTACLE FOR VIDEO CAMERA



ASPIRATION AREA



ASPIRATION AREA

Issue : 0602 C

In the effort to improve our products, we reserve the right to make changes judged to be necessary.



STRAIGHT MALE RECEPTACLE FOR PCB

SMT TYPE- REEL OF 500

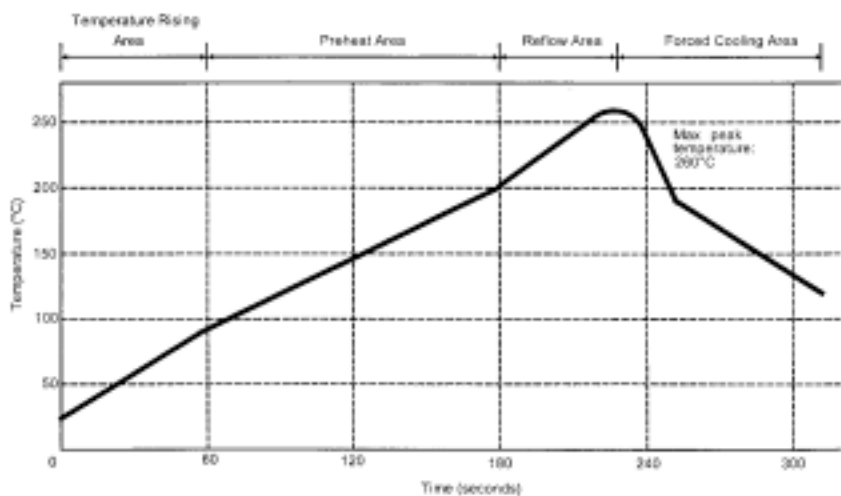
R114.424.120

Series : SMB

SOLDER PROCEDURE

1. Deposit solder paste 'Sn Ag4 Cu0.5' on mounting zone by screen printing application. We recommend a low residue flux.
We advise a thickness of 150 micromm (5.850 microinch). Verify that the edges of the zone are clean.
2. Placement of the receptacle on the mounting zone with an automatic machine of 'pick and place' type.
3. Soldering by infra-red reflow.
4. Cleaning of printed circuit boards.
5. Checking of solder joints and position of the component by visual inspection.

TEMPERATURE PROFILE



Parameter	Value	Unit
Temperature rising Area	1 - 4	°C/sec
Max Peak Temperature	260	°C
Max dwell time @260°C	10	sec
Min dwell time @235°C	20	sec
Max dwell time @235°C	60	sec
Temperature drop in cooling Area	-1 to - 4	°C/sec
Max dwell time above 100°C	420	sec

Issue : 0602 C

In the effort to improve our products, we reserve the right to make changes judged to be necessary.

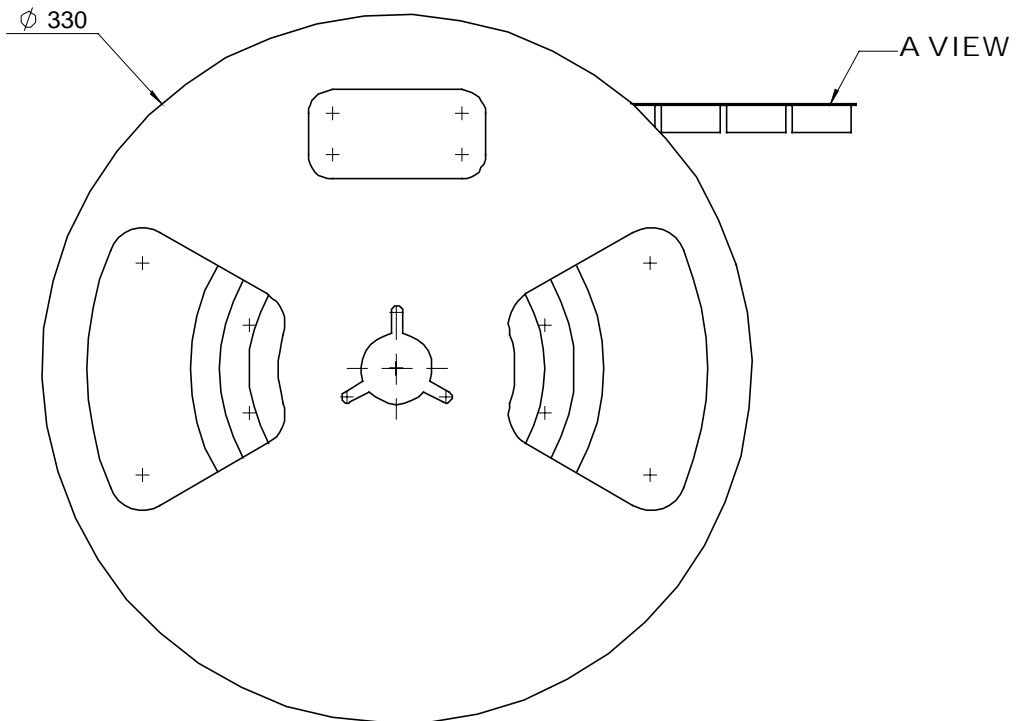


STRAIGHT MALE RECEPTACLE FOR PCB

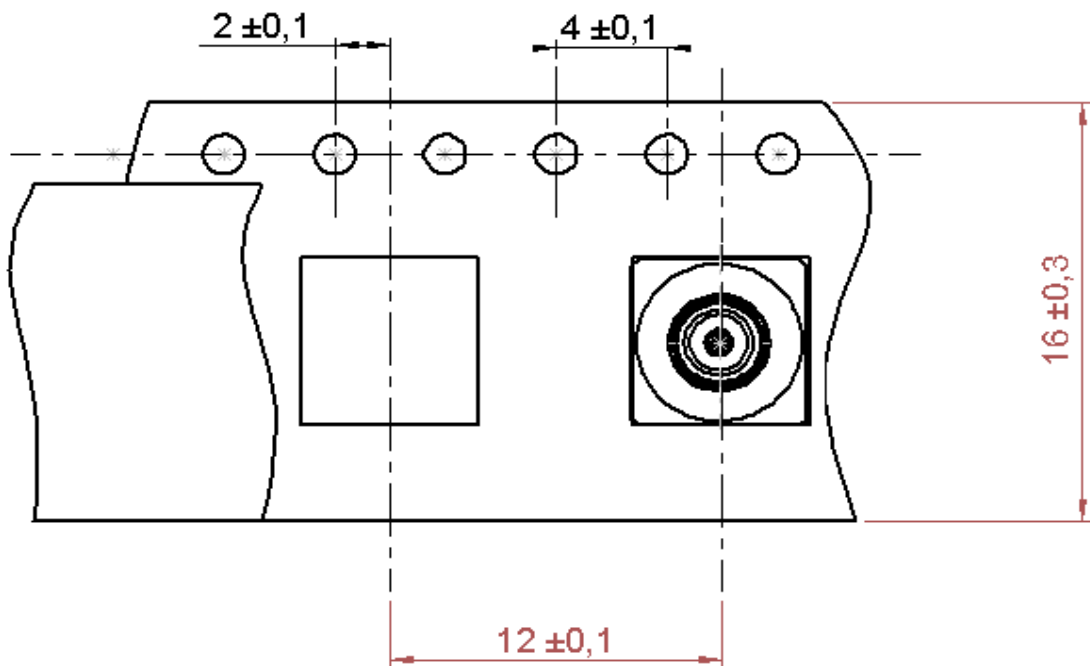
R114.424.120

SMT TYPE- REEL OF 500

Series : SMB



A VIEW (Scale 3)



Issue : 0602 C

In the effort to improve our products, we reserve the right to make changes judged to be necessary.

